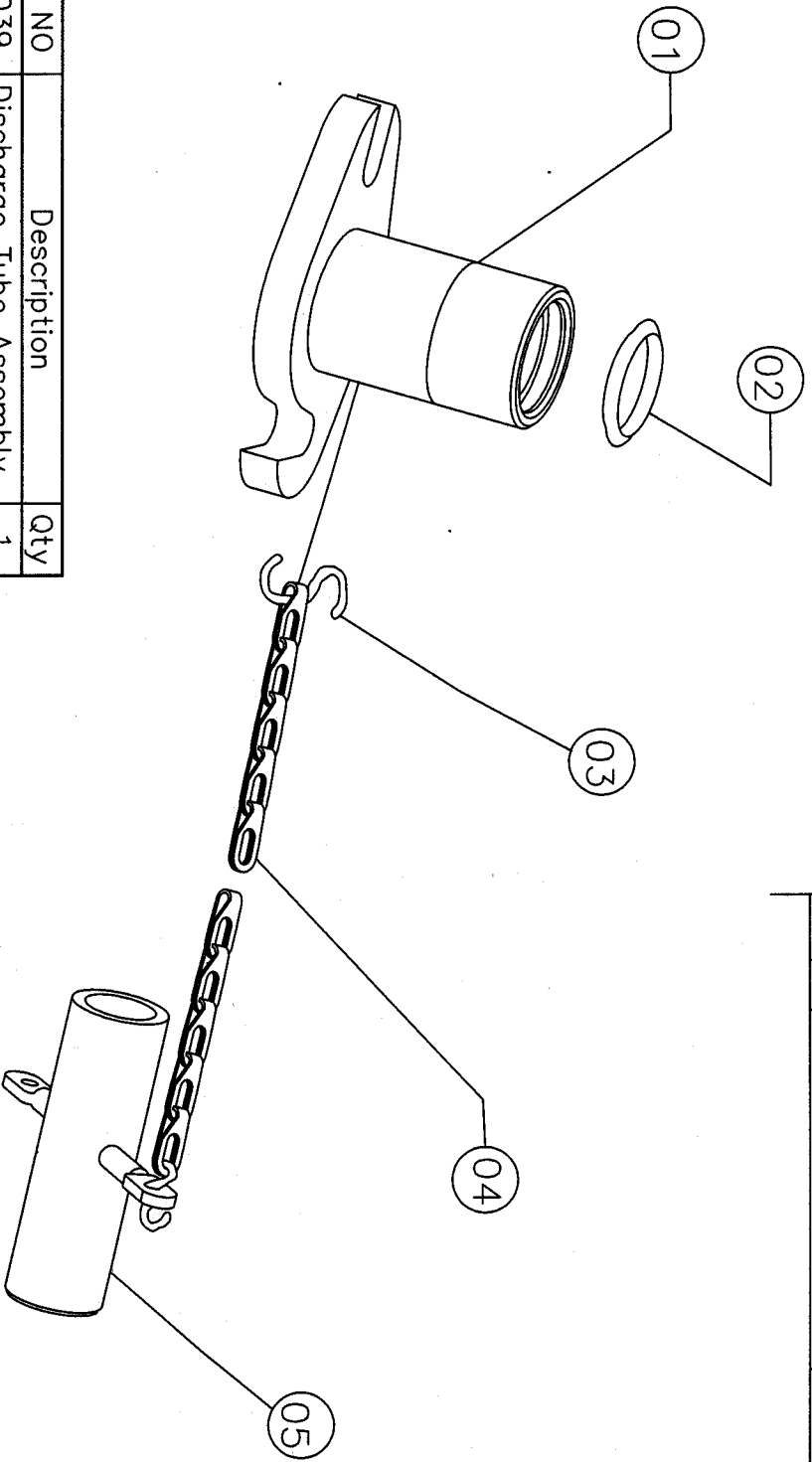




REVISIONS				
ECN	REV	DESCRIPTION	DATE	BY
1090	A	CREATE DRAWING AND RELEASE	12/00	HM



Item	Part NO	Description	Qty
01	704039	Discharge Tube Assembly	1
02	709034	" O " Ring	1
03	709043	" S " Hook	1
04	704042	Chain Assembly	1
05	704040	Filler Tube Assembly	1

BY	DATE
DRWN	12/00
CHKD	12/00
APP'D	

ALL DIMENSIONS IN INCHES
 UNLESS OTHERWISE NOTED
 TOLERANCES UNLESS NOTED
 .001 ± .0010
 .005 ± .0010
 ANGLES ± 1/2°

FILLER ASSEMBLY
 on  enterprise

SIZE	SCALE	DWG NO.	REV
B		90T	A

ASSEMBLY REF. NO. 7ZIT SHEET 1 of 1